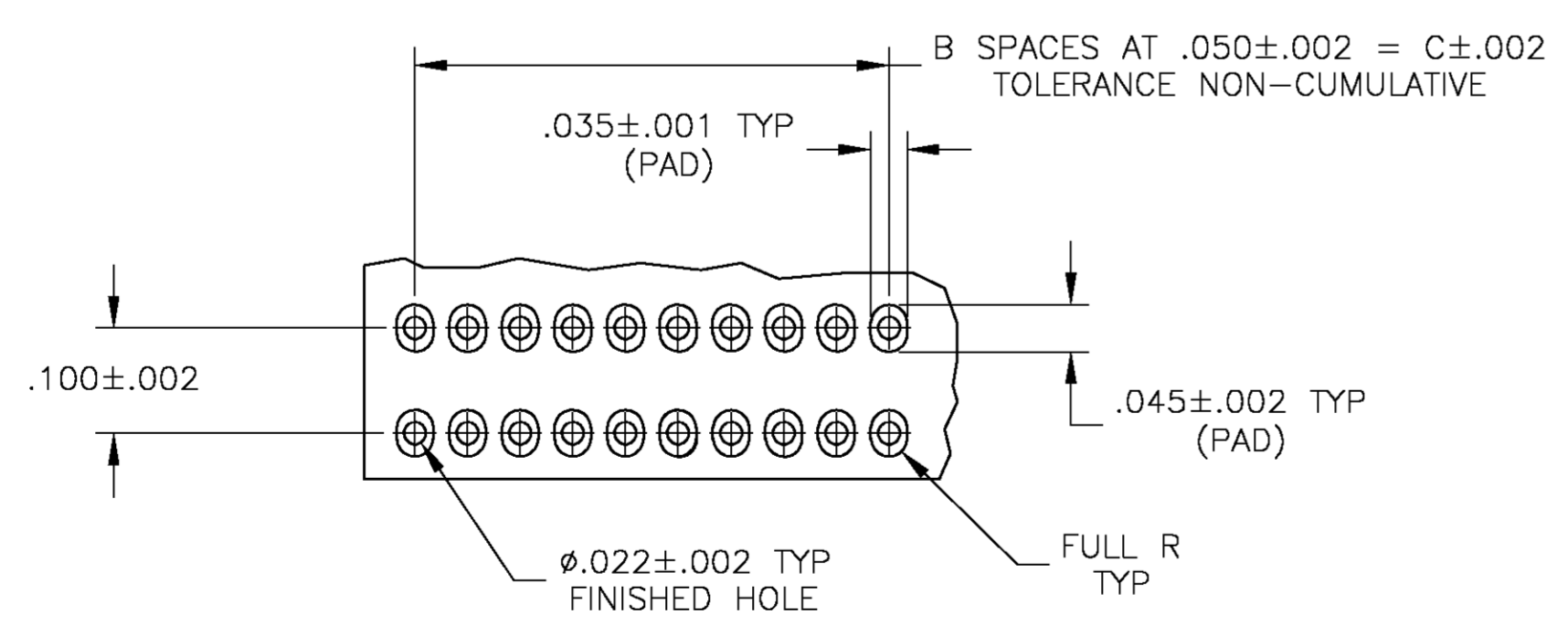
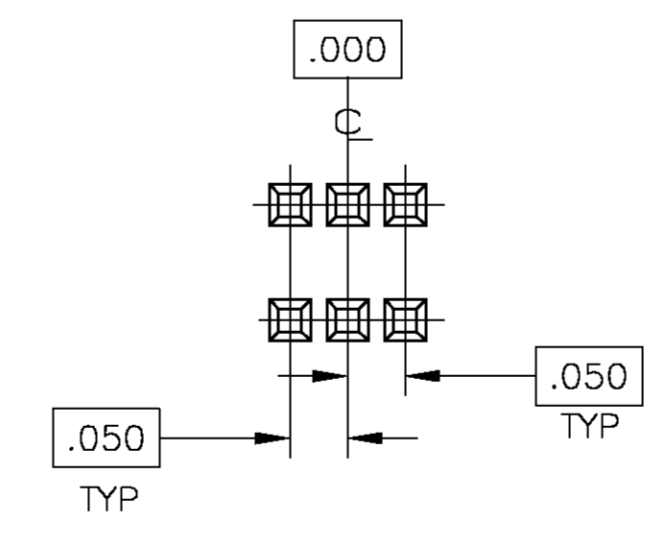


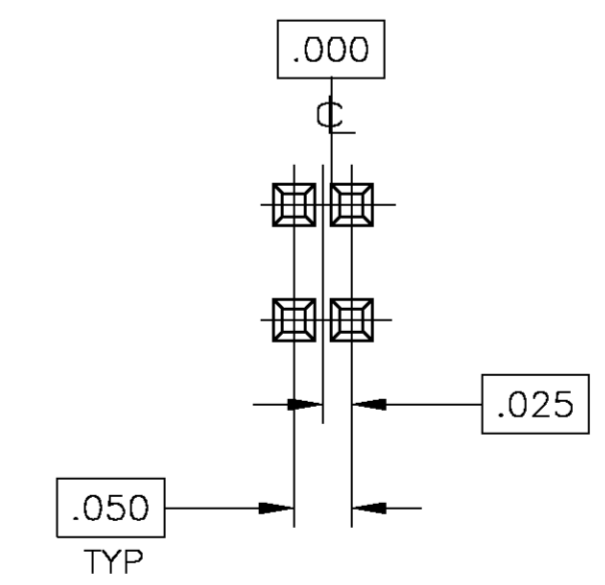
- 1 CONTACT AREA PLATED WITH .000030 GOLD; SOLDER TAILS PLATED WITH .000150 TIN-LEAD, ALL OVER .000050 NICKEL
- 2 POINT OF MEASUREMENT FOR GOLD PLATING THICKNESS IS .030 FROM MATING END OF CONTACT
- 3 HOUSING: THERMOPLASTIC, COLOR-BLACK. POST: COPPER ALLOY.
- 4 THE NOTED DIMENSIONS APPLY AT THE INTERSECTION OF THE POST AND HOUSING.
- 5 WINDOWS ON SIDE OF HOUSING AND RIBS ON BOTTOM OF HOUSING ARE MOLDERS OPTION.
- 6 AMP LOGO PRESENCE AND LOCATION OPTIONAL.
- 7 CONTACT AREA PLATED WITH .000030 GOLD; SOLDER TAILS PLATED WITH .000150 TIN, ALL OVER .000050 NICKEL



RECOMMENDED HOLE PATTERN SCALE 6:1



BASIC DIMENSIONS FOR EVEN NO OF SPACES (SEE TABLE)



DETAIL R SCALE 6:1

1.650	33	1.744	68	6-104078-3	
1.750	35	1.844	72	6-104078-2	
.350	7	.444	16	6-104078-1	
.800	16	.894	34	6-104078-0	
.550	11	.644	24	5-104078-9	
2.450	49	2.544	100	5-104078-8	
1.950	39	2.044	80	5-104078-7	
1.450	29	1.544	60	5-104078-6	
1.200	24	1.294	50	5-104078-5	
.700	14	.794	30	5-104078-4	
.200	4	.294	10	5-104078-3	
.950	19	1.044	40	5-104078-2	
.450	9	.544	20	5-104078-1	
1.650	33	1.744	68	1-104078-3	
OBSOLETE	1.750	35	1.844	72	1-104078-2
OBSOLETE	.350	7	.444	16	1-104078-1
.800	16	.894	34	1-104078-0	
.550	11	.644	24	104078-9	
2.450	49	2.544	100	104078-8	
1.950	39	2.044	80	104078-7	
1.450	29	1.544	60	104078-6	
1.200	24	1.294	50	104078-5	
.700	14	.794	30	104078-4	
.200	4	.294	10	104078-3	
.950	19	1.044	40	104078-2	
.450	9	.544	20	104078-1	

THIS DRAWING IS A CONTROLLED DOCUMENT. DIN D CLOUSER 1-15-87  
 CHK T KOCHER 1-15-87

TOLERANCES UNLESS OTHERWISE SPECIFIED:  
 0 PLC ± -  
 1 PLC ± -  
 2 PLC ± -  
 3 PLC ± .005  
 4 PLC ± -  
 ANGLES ± -

PRODUCT SPEC 108-1093  
 APPLICATION SPEC 114-25031

SIZE CAGE CODE DRAWING NO  
 A1 00779 C=104078

RESTRICTED TO  
 CUSTOMER DRAWING SCALE 4:1 SHEET 1 OF 1 REV U

THIS DRAWING IS UNPUBLISHED. RELEASED FOR PUBLICATION  
 © COPYRIGHT BY TYCO ELECTRONICS CORPORATION. ALL RIGHTS RESERVED.